



**Electrolux**  
PROFESSIONAL

**Modular Cooking Range Line  
700XP Two Well Freestanding  
Electric Fryer 2x14 liter (Marine)**

ITEM # \_\_\_\_\_

MODEL # \_\_\_\_\_

NAME # \_\_\_\_\_

SIS # \_\_\_\_\_

AIA # \_\_\_\_\_



371164 (E7FRMH2FF5)

14+14-lt electric Fryer free standing with 2 wells (internal heating elements), 2 baskets and lids included - Marine

**Short Form Specification**

Item No. \_\_\_\_\_

To be installed on height adjustable feet in stainless steel. High efficiency tilting incoloy armoured heating elements (17.4kW) placed inside the well. Deep drawn well. Oil drains through a tap into a container under the well. Exterior panels in stainless steel with Scotch Brite finish. One piece pressed work top in 1.5 mm thick stainless steel. Right-angled side edges to allow flush-fitting junction between units.

**Main Features**

- IPx4 water protection.
- Unit to be mounted on height adjustable feet in stainless steel.
- Optional portable oil quality monitoring tool (code 9B8081) for efficient oil management.
- Incoloy armoured heating elements located inside the well can be lifted up for easier cleaning.
- Oil drains through a tap into a drainage container positioned under the well.
- Thermostatic regulation of oil temperature up to a maximum of 185 °C.
- Overheat protection thermostat as standard on all units.
- All major compartments located in front of unit for ease of maintenance.

**Construction**

- Interior of well with rounded corners for ease of cleaning.
- Model has right-angled side edges to allow flush fitting joints between units, eliminating gaps and possible dirt traps.
- One piece pressed 1.5 mm work top in Stainless steel.
- All exterior panels in Stainless Steel with Scotch Brite finishing.

APPROVAL: \_\_\_\_\_



Experience the Excellence  
[www.electroluxprofessional.com](http://www.electroluxprofessional.com)

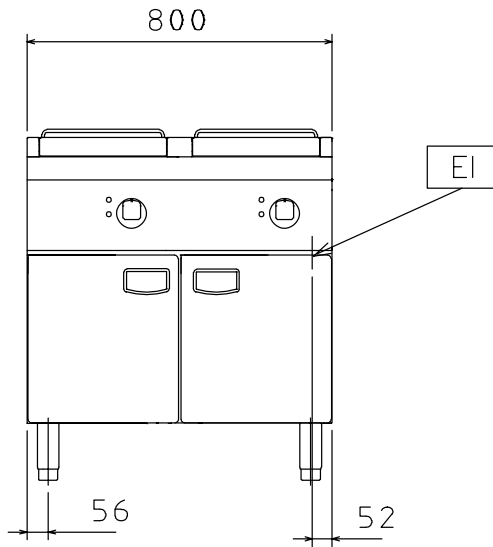
### Included Accessories

- 1 of Flanged feet kit PNC 206136
- 2 of Door for open base cupboard PNC 206350
- 2 of Full size basket for 14 and 15lt free standing fryers PNC 921691

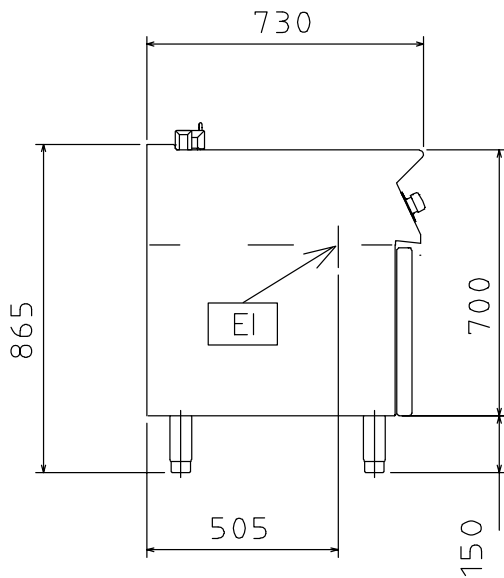
### Optional Accessories

- Junction sealing kit PNC 206086
- Kit 4 wheels - 2 swivelling with brake - it is mandatory to install Base support and wheels PNC 206135
- Flanged feet kit PNC 206136
- Support for bridge type installation, 1600mm PNC 206141
- Frontal kicking strip for concrete installation, 800mm PNC 206148
- Frontal kicking strip for concrete installation, 1200mm PNC 206151
- Frontal kicking strip for concrete installation, 1600mm PNC 206152
- Frontal kicking strip, 800mm (not for refr-freezer base) PNC 206176
- Frontal kicking strip, 1000mm (not for refr-freezer base) PNC 206177
- Frontal kicking strip, 1200mm (not for refr-freezer base) PNC 206178
- Kit 4 feet for concrete installation (not for 900 line free standing grill) PNC 206210
- Pair of side kicking strips PNC 206249
- Pair of side kicking strips for concrete installation PNC 206265
- Right and left side handrails PNC 206307
- Back handrail 800 mm PNC 206308
- Back handrail 1200 mm PNC 206309
- Door for open base cupboard PNC 206350
- Base support for feet or wheels - 800mm (700/900) PNC 206367
- Base support for feet or wheels - 1200mm (700/900) PNC 206368
- Base support for feet or wheels - 1600mm (700/900) PNC 206369
- Rear paneling - 600mm (700/900XP) PNC 206373
- Rear paneling - 800mm (700/900) PNC 206374
- Rear paneling - 1000mm (700/900) PNC 206375
- Rear paneling - 1200mm (700/900) PNC 206376
- Chimney grid net, 400mm (700XP/900) PNC 206400
- 2 side covering panels for free standing appliances PNC 216000
- Full size basket for 14 and 15lt free standing fryers PNC 921691
- 2 half size baskets for 14 and 15lt fryers PNC 921692
- Filter for fryer oil collection basin for 7lt, 14lt, 15lt free standing fryers PNC 921693

Front

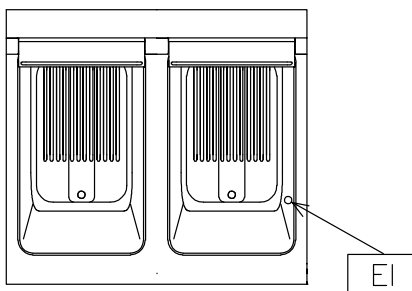


Side



EI = Electrical inlet (power)  
 EQ = Equipotential screw

Top



## Electric

|                         |                     |                         |
|-------------------------|---------------------|-------------------------|
| <b>Supply voltage:</b>  | 371164 (E7FRMH2FF5) | 380-400 V/3 ph/50/60 Hz |
| <b>Total Watts:</b>     |                     | 17.4 kW                 |
| <b>Predisposed for:</b> |                     |                         |

## Key Information:

|   |                        |
|---|------------------------|
| <b>Usable well dimensions (width):</b>  | 240 mm                 |
| <b>Usable well dimensions (height):</b> | 285 mm                 |
| <b>Usable well dimensions (depth):</b>  | 380 mm                 |
| <b>Well capacity:</b>                   | 12 lt MIN; 14 lt MAX   |
| <b>Thermostat Range:</b>                | 105 °C MIN; 185 °C MAX |
| <b>Net weight:</b>                      | 81 kg                  |
| <b>Shipping weight:</b>                 | 85 kg                  |
| <b>Shipping height:</b>                 | 1140 mm                |
| <b>Shipping width:</b>                  | 820 mm                 |
| <b>Shipping depth:</b>                  | 860 mm                 |
| <b>Shipping volume:</b>                 | 0.8 m <sup>3</sup>     |

If appliance is set up or next to or against temperature sensitive furniture or similar, a safety gap of approximately 150 mm should be maintained or some form of heat insulation fitted.

**Certification group:** EF17114